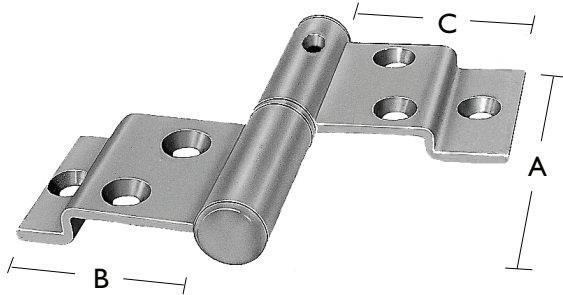


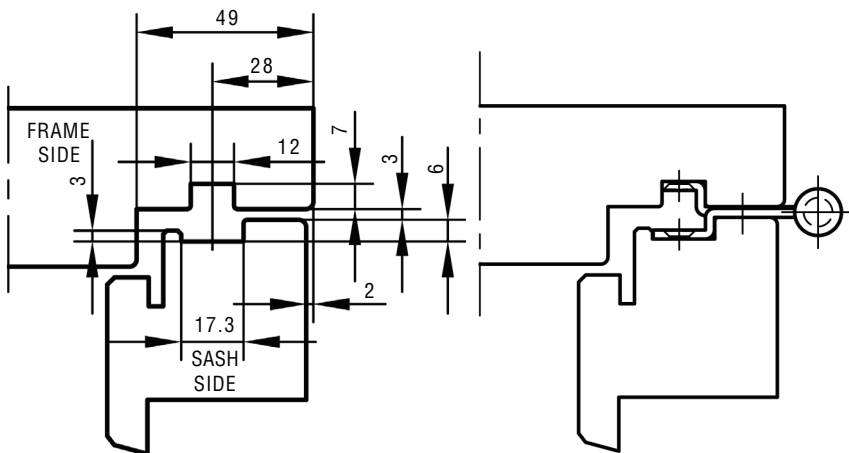
**SIDE HUNG WINDOWS**



**HINGES**



BJ Waller Part No.	IPA Part No.	Finish	Hand	A mm	B mm	C mm
1.111010	11174 RAL 9006	Satin Silver	RH	90	37	39.5
1.110010	11174 RAL 9006	Satin Silver	LH	90	37	39.5
1.111005	11174/24252	Yellow	RH	90	37	39.5
1.110005	11174/23252	Yellow	LH	90	37	39.5
1.111015	11174/34061	White	RH	90	37	39.5
1.110015	11174/33061	White	LH	90	37	39.5
1.111008	11174/34871	Black	RH	90	37	39.5
1.110008	11174/33871	Black	LH	90	37	39.5
1.111009	11174/24871	Galv	RH	90	37	39.5
1.110009	11174/23871	Galv	LH	90	37	39.5
1.111002	11174/84861	SSS	RH	90	37	39.5
1.110002	11174/83861	SSS	LH	90	37	39.5



**Maintenance:**

Test the operation from time to time. When fitting - Grease the pivot/movable metal parts of the mechanism while activating repeatedly. Thereafter grease minimum twice a year.

