

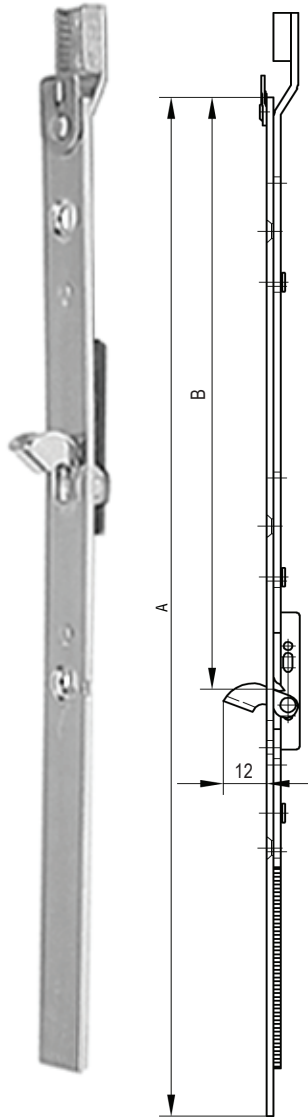
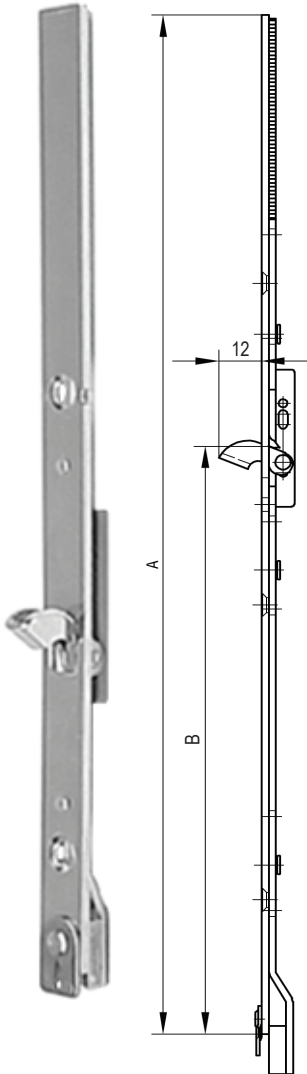
SIDE HUNG WINDOWS



EXTENSIONS

TOP EXTENSION

BOTTOM EXTENSION



BJ Waller part No.	IPA Part no.	Position	A mm	B mm
23.204906	23580/16211	Top	250	85
23.205006	23581/16211	Bottom	250	95
23.207806	23583/16211	Top	380	215
23.207906	23584/16211	Bottom	380	225
23.208006	23586/16211	Top	500	335
23.208106	23587/16211	Bottom	500	345

Face plate: 16/17mm
 Faceplate thickness: 2.5mm
 Hook depth: 12mm
 Screw No: 4

Standard shortening possibilities:

- 70mm at the top with side bolts out.
- 70mm at the bottom with side bolts in.

Shortening possibilities when used with handle operated friction stay:

- 50mm at the top with side bolts out.
- 70mm at the bottom with side bolts in.

