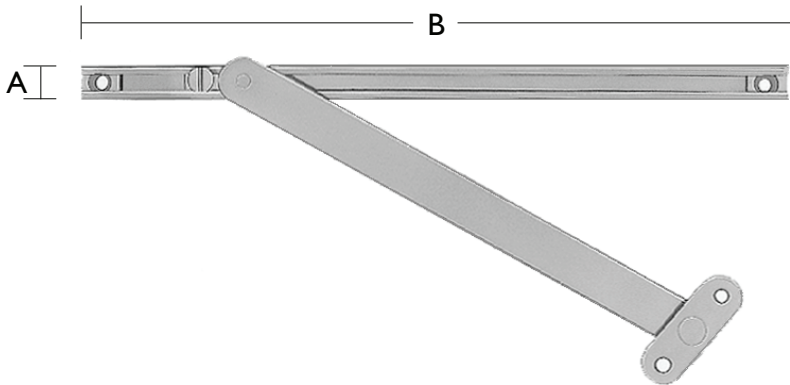


**SIDE HUNG WINDOWS**



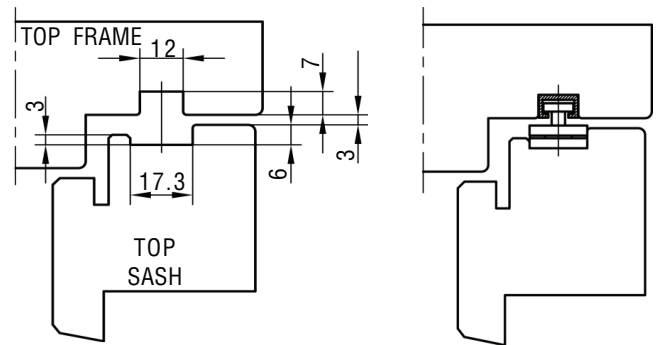
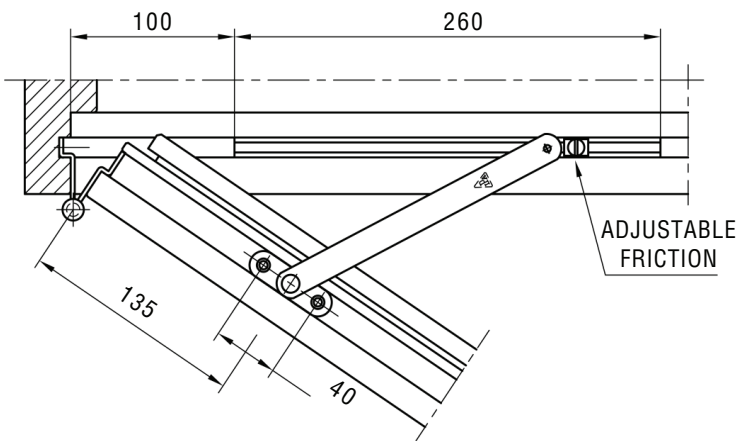
**ADJUSTABLE FRICTION STAY**



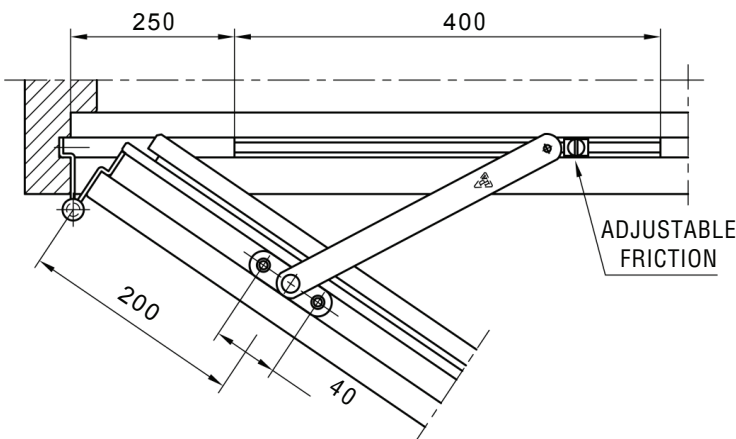
BJ Waller Part No.	IPA Part No.	A mm	B mm
2.40306	21327/10211	12	260
2.40106	22411/10211	12	400

- Concealed fitting
- Opens up till 100°
- Friction in all positions
- Adjustable friction
- Anodized Aluminium rail

**Diagram for 2.40306**



**Diagram for 2.40106**



**Maintenance:**

The fittings are not to be painted. Test the operation from time to time. When mounting, grease the pivoting/movable metal parts of the mechanism while activating repeatedly. Thereafter grease minimum twice a year. Do not grease the Aluminium rails.