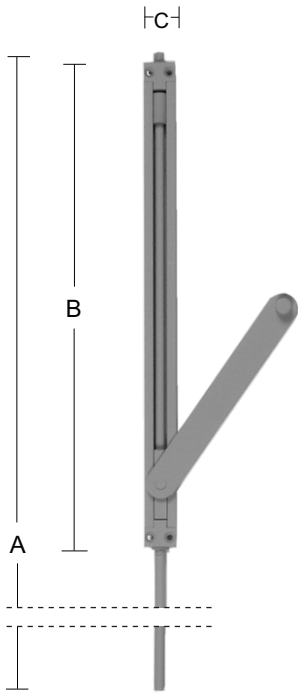


SIDE HUNG WINDOWS



HANDLE OPERATED FRICTION STAY

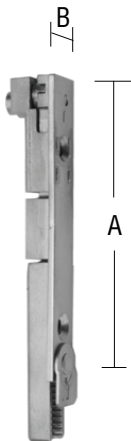
TOP FRICTION STAY



BJ Waller Part No.	IPA Part No.	Min sash width	Max sash width	A mm	B mm	C mm
2.440106	23810/10211	330	480	500	250	16
2.440206	23811/10211	481	690	650	330	16
2.440306	23812/10211	691	900	750	435	16
2.440406	23813/10211	901	1100	1025	465	26

Position: Top of sash
Screw No: 3

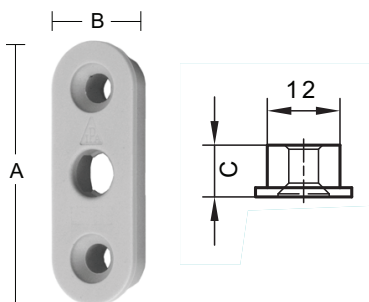
CONNECTOR PIECE



BJ Waller Part No.	IPA Part No.	A mm	B mm
23.207406	23782/00211	100	16

Position: Top of sash
Screw No: 4

FRAME FIXING



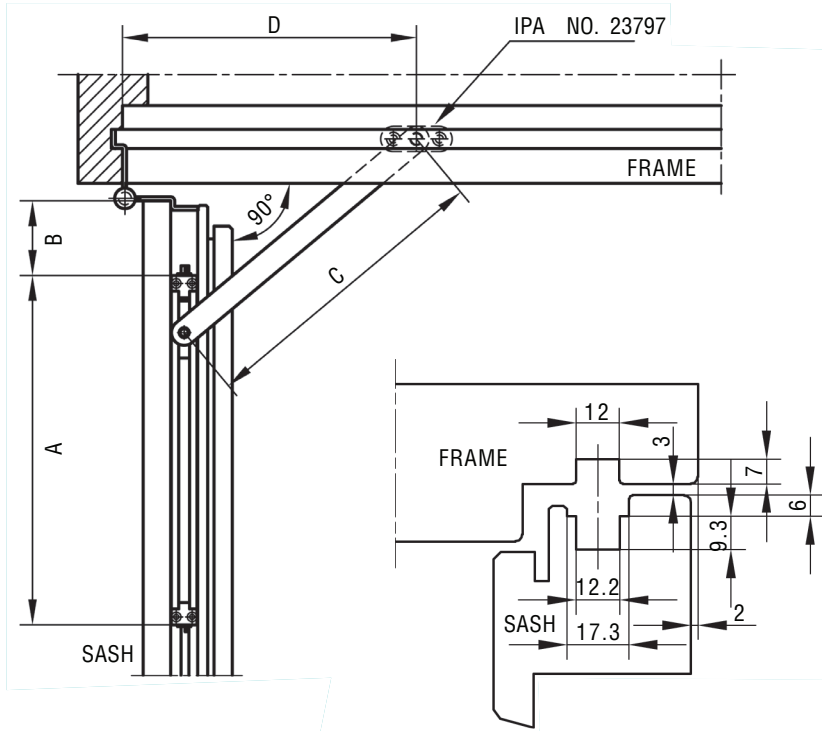
BJ Waller Part No.	IPA Part No.	A mm	B mm	C mm
2.440506	23797/00001	45	16	8.5

Position: Top of sash
Screw No: 4

SIDE HUNG WINDOWS



HANDLE OPERATED FRICTION STAY



Fitting:

1. Connector piece is fitted to the top of the espagnolette.
2. Aluminium rail with arm is mounted in the top of the sash and connected to connector piece. Use 4 x screw No. 3.
3. The plastic frame fixing is mounted in the top of the frame. Use 2 x screw No. 4.
4. The arm is pressed in place in the frame fixing.

When the opening angle is more than 90 degrees a mechanical restrictor which prevents the door from opening more than 90 degrees must be fitted.

BJ Waller Part No.	IPA Part No.	Min Sash Width	Max Sash Width	A mm	B mm	C mm	D mm
2.440106	23810/10211	330	480	250	15	110	102
2.440206	23811/10211	481	690	330	90	200	152
2.440306	23812/10211	691	900	435	195	330	230
2.440406	23813/10211	901	1100	465	305	450	280

Maintenance:

The fittings are not to be painted. Test the operation from time to time. When mounting, grease the pivoting/movable metal parts of the mechanism while activating repeatedly. Thereafter grease minimum twice a year. Do NOT grease the Aluminium rails.