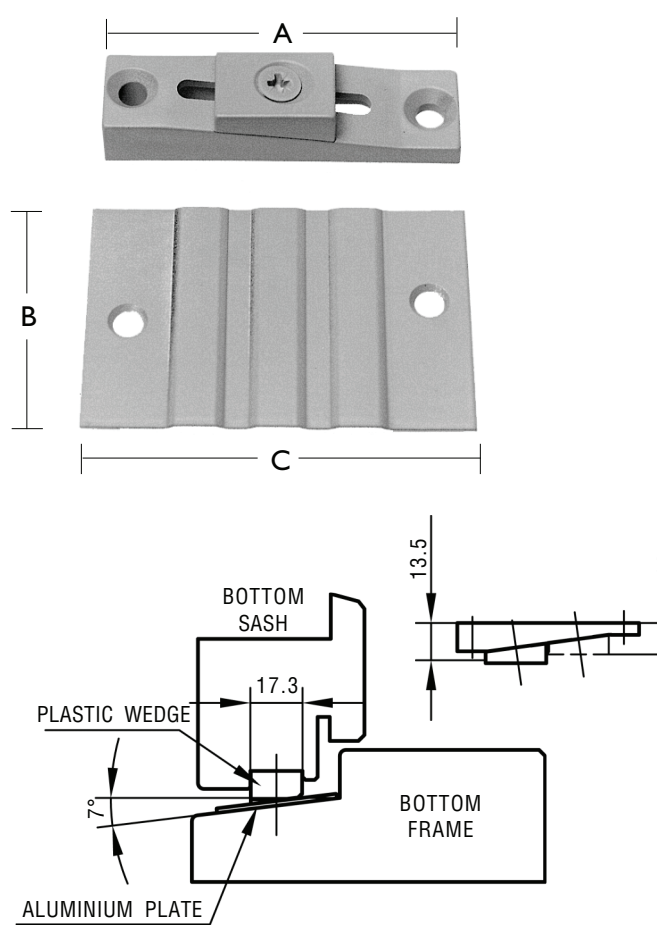


SIDE HUNG WINDOWS



SUPPORT FITTINGS

BOTTOM SUPPORT FITTING

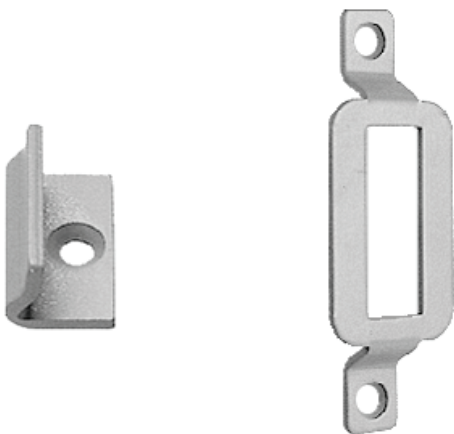


BJ Waller Part No.	IPA Part No.	A mm	B mm	C mm
1.82006	21226/00001	60	40	61

The support fitting is used to support windows and doors. The plastic wedge is mounted in the IPA system groove on the sash and the Aluminium rail is mounted on the bottom frame, as shown.

The support fitting can be adjusted by loosening the screw in the small plastic block and by adjusting the mentioned plastic block to the left or to the right. Maximum and minimum height of the fitting is shown above - please remember to add the thickness of the Aluminium rail.

HINGE SIDE SUPPORT FITTING AND RECEIVER



BJ Waller Part No.	IPA Part No.	Part
1.83706	21221/10211	Support fitting
1.83806	21223/10211	Receiver