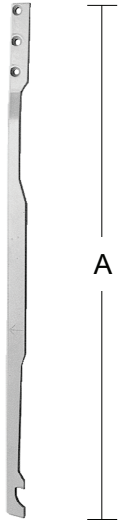


TOP SWING WINDOWS



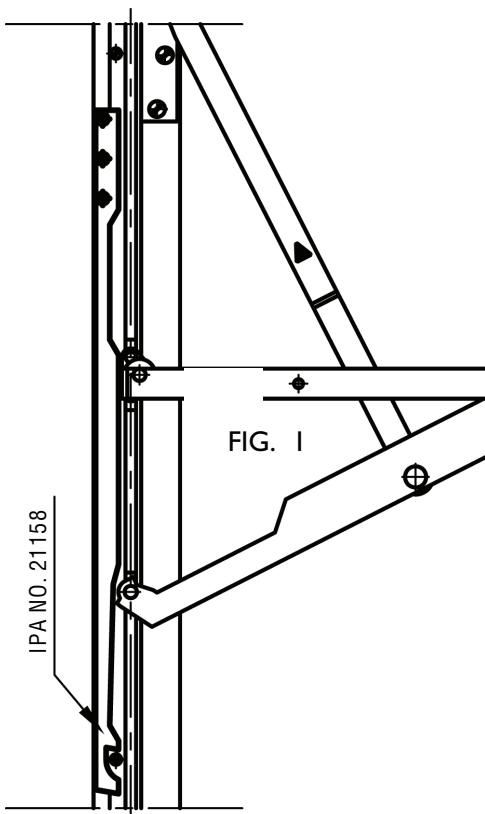
SAFETY CATCH



BJ Waller part no.	IPA Part No.	A mm
1.121006	21158/17211	385

Used in conjunction with reversible projecting gear

Screw No: 3



Mounting instructions:

Safety catch IPA No. 21158 is mounted on the left side - Seen from the inside - Using screw No. 3.0. The safety opening of the window is approximately 100mm.

Operating instructions:

1. The window is opened until the safety catch automatically engages.
2. To open the window - Close the window approximately 20mm. Press the safety catch in the direction shown by the arrow, then open the window.
3. The safety catch automatically re-engages next time the window is opened.

Maintenance:

The fittings are not to be painted. Test the operation from time to time. When mounting, grease the pivoting/movable metal parts of the mechanism while activating repeatedly. Thereafter grease minimum twice a year. Do not grease the Aluminium rails.