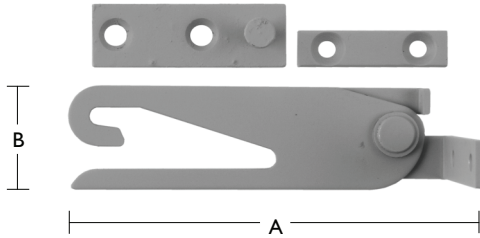
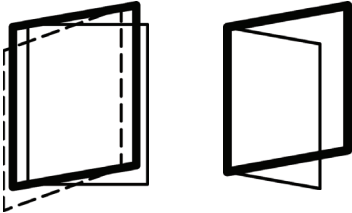




SAFETY RESTRICTOR

IPA NO. 21231



1 SET
RIGHT HAND

ORDERING NO.									
IPA NO.	MATERIAL			SURFACE	STANDARD PACKING IN BOXES OF 5 SETS	AMM	B MM	SCREW	APPROX. WEIGHT KG / SET
	STAINLESS STEEL	LEFT	RIGHT	UNMACHINED					
21231	8	7	8	86	1	105	28	4,0	0,080

■ RETAINS THE WINDOW IN OPENING POSITION 60 MM

USED IN CONJUNCTION WITH:
HINGES IPA NO.s 11173-74 & 77
SIDESWING FITTING IPA NO.s 21201-17



FITTING INSTRUCTIONS

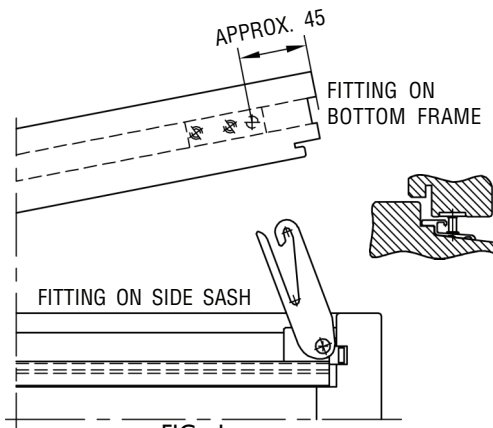


FIG. 1
RIGHT HAND ILLUSTRATION

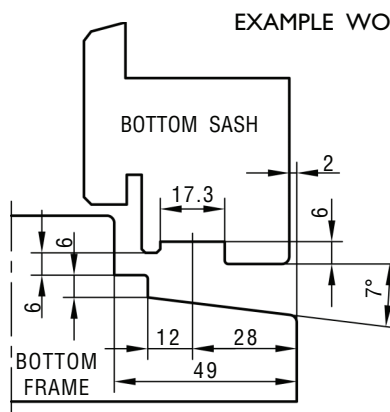


FIG. 2

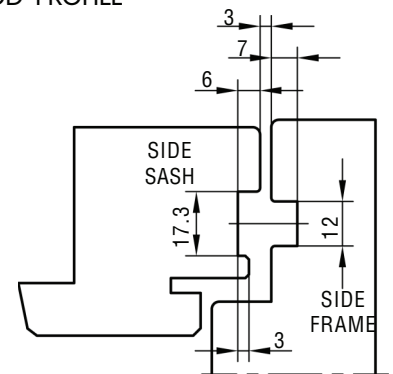


FIG. 3

OPERATING INSTRUCTIONS:

1. OPEN THE WINDOW UNTIL THE RESTRICTOR IS IN POSITION.
2. DRAW THE SASH 20 MM BACKWARDS.
3. PRESS THE RESTRICTOR AGAINST THE FRAME AND THE SASH IS RELEASED.

MAINTENANCE:

THE FITTINGS ARE NOT TO BE PAINTED. TEST THE OPERATION FROM TIME TO TIME. WHEN FITTING - LUBRICATE THE PIVOT/MOVABLE METAL PARTS OF THE MECHANISM WHILE ACTIVATING REPEATEDLY. HEREAFTER LUBRICATE MINIMUM TWICE A YEAR. SEE ALSO SECTION H.