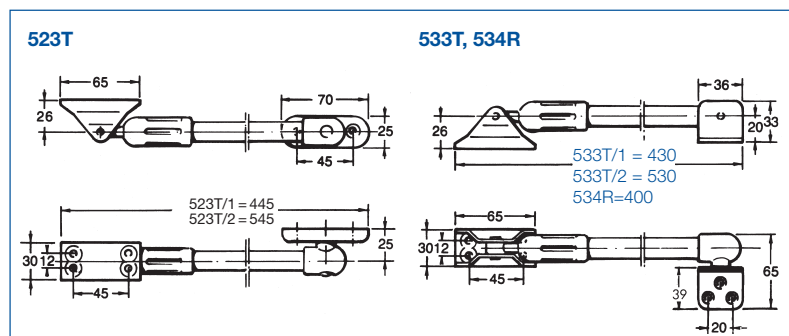


Friction door holders

Fix 523T, 533T and 534R

523T
533T
534R

Used for external doors, glazed doors, storage room doors, etc. Fix 523T, for outward-opening doors. Fix 533T and 534R, for inward-opening doors.



Operation and features

Holds the door with friction in desired open position. Prevents the door from blowing closed and reduces the risk of jam injuries. The friction can be adjusted with the friction adjuster (on Fix 534R, a tool must be used to loosen the lock nut). Fits both right and left.

Construction

- a) Frame fixture
- b) Telescope tube
- c) Friction adjuster
- d) Nut M16
- e) Rod
- f) Door fixture

Material

Frame and door fixtures of varnished steel with cover plate of acetal plastic. Varnished steel telescopic tube with joint head of acetal plastic. Friction adjuster of acetal plastic (for Fix 534R: nut of nickel plated brass and stainless steel friction adjustment). Stainless steel rod with joint head of acetal plastic.

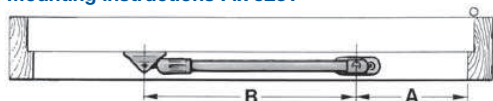
Installation

Mounted according to instructions below.

Screw

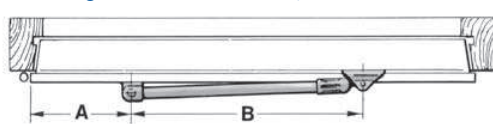
For frame fixture, use no. 9 (4.5 mm) TFX / DIN 7997.
For door fixture, use no. 7 (3.8 mm) TFX / DIN 7997.

Mounting instructions Fix 523T



Frame width mm	Item no.	Opening angle	Measure A mm	Measure B mm
590-769	523T/1	c:a 95°	130	380
770-910	523T/2	c:a 95°	210	480

Mounting instructions Fix 533T, 534R



Door width mm	Item no.	Opening angle	Measure A mm	Measure B mm
620-809	533T/1	c:a 95°	190	380
810-910	533T/2	c:a 95°	275	480
570-760	534R	c:a 95°	170	350

