

VN 2927/120 Compact Planum

with reduced, elegant knuckle for unrebated heavy-duty doors with thin block frames and blind frames



Product features

- with reduced, elegant knuckle
- integral security pin
- for unrebated heavy-duty doors
- for block and blind frames
- with receiver in the door leaf
- with comfortable 3D adjustment (side +/- 3,0 mm, height +/- 3,0 mm, compression +/- 1,0 mm)
- concealed, maintenance-free axial-radial slide bearings

Technical details

Attributes	Value
Load capacity	120,0 kg
Knuckle length	120,0 mm
Knuckle diameter	15,0 mm
Cutter diameter	24,0 mm
Collar ring diameter	30,0 mm
Material thickness	3,0 mm
Screws	5,0 x 50,0 mm

Quality marks



Certification CE



Certification IFT

Classification key

4	7	6	1 ⁻¹	1	— ⁻²	1	13
---	---	---	-----------------	---	-----------------	---	----

^{*1} Test evidence for functional doors to be achieved with full door sets and assemblies.

^{*2} depending on the finish

VARIANT VN - VN 2927/120 Compact Planum

Note

The load capacity mentioned above refers to the use of 2 hinges per door leaf (1 x 2 m), for detailed information please look at the chapter "technical information".

Adapted for the application on doors within the high-class sector the elegant, diameter-reduced hinge knuckle is ideal for slim, recessed frame facings.

Screws 4,5 x 50,0 mm can be used as an alternative for lowering the depth.

Suitable for

Universal milling frame	frame
Template 5 250354 5	door - step 1
Template 5 250697 5	door - step 2
Template 5 250698 5	door - step 3
Template 5 250699 5	

Combinations

VN 2900/120

Function range



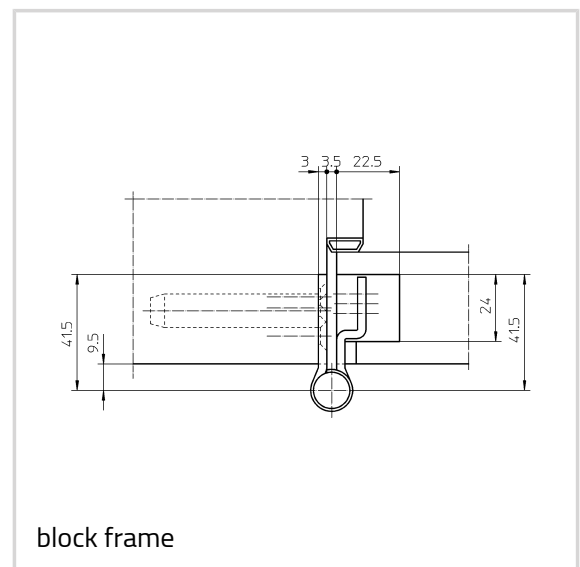
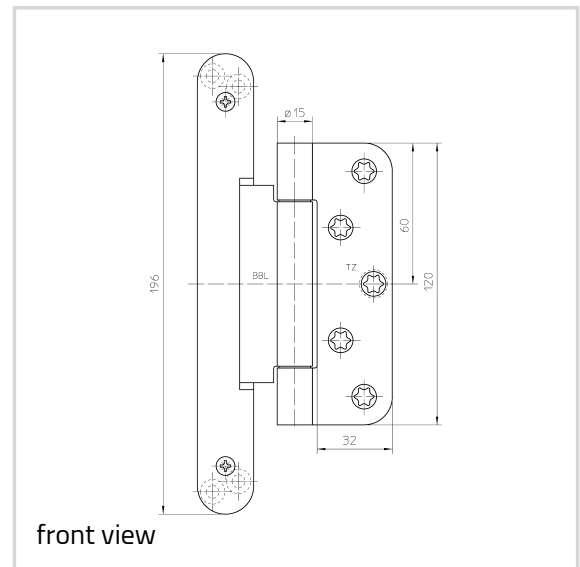
fire resistance



smoke resistance

Item

Finish(es)	satin chromed/F1 (037)
OF-NR.	037
VPE	pack of 2
DIN	DIN right and left hand
Item No.	5 040772 0 03702
EAN	4015471112974
Finish(es)	Satin Stainless Steel (040)



VARIANT VN - VN 2927/120 Compact Planum

OF-NR.	040
VPE	pack of 2
DIN	DIN right and left hand
Item No.	5 040772 0 04002
EAN	4015471112981