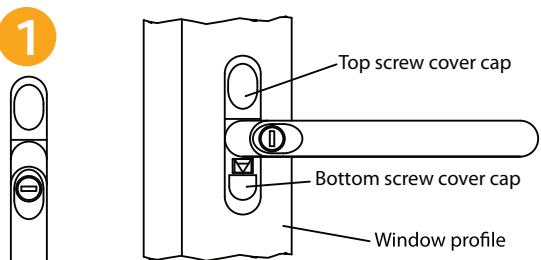


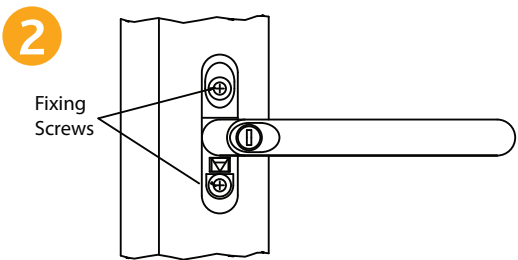
Connoisseur Window Handle Fitting Instructions

1



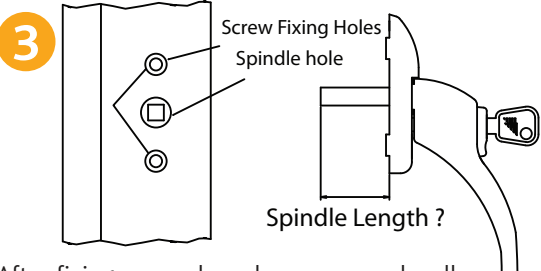
To remove the existing handle: If locked, unlock the window handle and turn 90° into the unlocked / open position as shown above. This should reveal both the top and bottom screw cover caps if present.

2



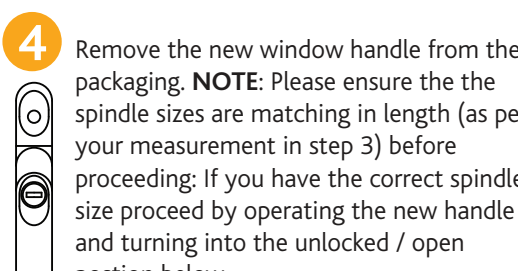
Remove both the top and bottom screw cover caps to reveal the fixing screw underneath. Using the correct screwdriver, remove both fixing screws

3



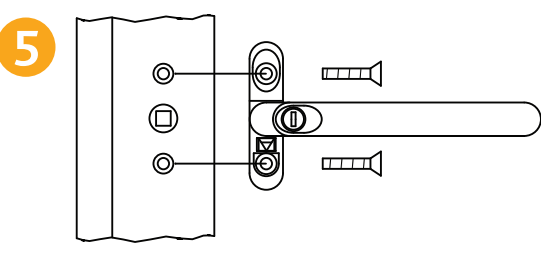
After fixing screws have been removed, pull to remove the handle from the window mechanism. This should reveal the two screw fixing holes and the square spindle hole. At this point please take note of the length of the current spindle size as shown above (?).

4




Remove the new window handle from the packaging. **NOTE:** Please ensure the the spindle sizes are matching in length (as per your measurement in step 3) before proceeding: If you have the correct spindle size proceed by operating the new handle and turning into the unlocked / open position below.

5



Align your new handle up correctly with the new existing holes in your window and fit the handle using the correct size screws which should be provided within the packaging. Once securely fitted, turn the handle into the locked position and back again into the unlocked position to ensure the correct operation.

6



New key and cover caps

If you are happy with the operation of the handle fit the new top and bottom screw cover caps which should be within the packaging along with the new key.