

1. Prepare slots and pre-drill fixing holes. Avoid glazing rebates and reinforcement.
2. Fix vent and canopy using screws and attach screw covers. **DO NOT OVER TIGHTEN!**

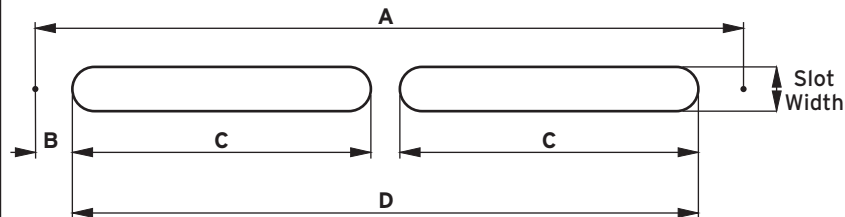
Recommended screws:

Vent: No.7 or No.8 countersunk head or equivalent.

Canopy: No.6 Pan head or equivalent.

We recommend use of Silicone sealant along the canopy sealant groove and when necessary on the underside of the ventilator.

DIM	S13 2700EA Ventilator	C13 412 Canopy	S13 1700EA Ventilator	C13 267 Canopy
Product Length	411	412	265	267
Slot width	13	13	13	13
A	387	387	242	242
B	10	10	9.5	9.5
C	173.5	173.5	223	223
D	367	367	Single Slot	Single Slot
Performance	2700mm ² EA** / 4000mm ² Free Area		1700mm ² EA** / 2000mm ² Free Area	

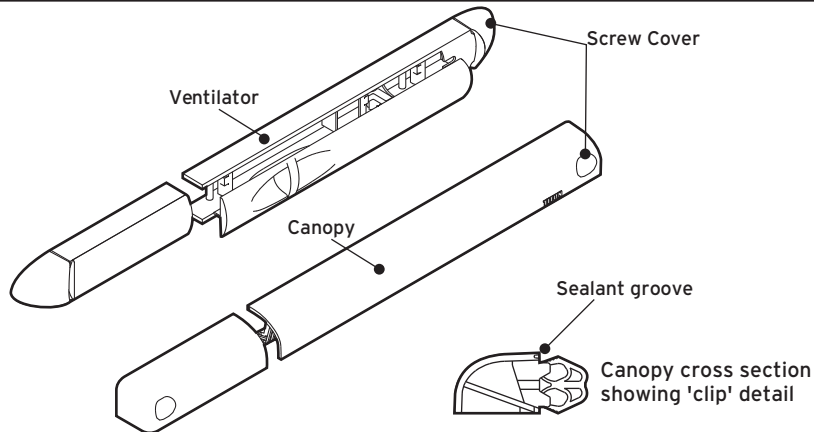


MARKETING DIVISION

International House, Peartree Road, Stanway, Colchester, Essex CO3 0JL

Tel: +44 (0) 1206 713800 Fax: +44 (0) 1206 543126 Web: www.titon.com

EA = Equivalent Area
All dimensions in mm unless otherwise stated
Any significant variation of the applications shown will affect the EA performance of the product combination
** Tested in accordance with BS:EN 13141-1 (2004)

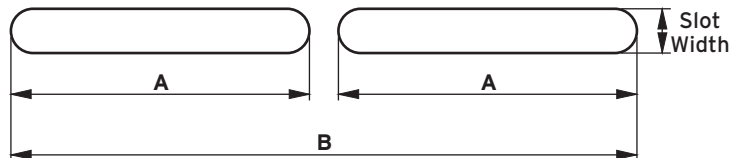


1. Prepare slots accurately. Avoid glazing rebates and reinforcement.

2. Clip on vent, and canopy, ensure screw covers are attached.

We recommend use of Silicone sealant along the canopy sealant groove and when necessary on the underside of the ventilator.

DIM	S13 2700EA Ventilator	C13 412 Canopy	S13 1700EA Ventilator	C13 267 Canopy
Product Length	411	412	265	267
Slot width	13	13	13	13
A	173.5	173.5	223	223
B	367	367	Single Slot	Single Slot
Performance	2700mm ² EA** / 4000mm ² Free Area		1700mm ² EA** / 2000mm ² Free Area	



EA = Equivalent Area

All dimensions in mm unless otherwise stated

Any significant variation of the applications shown will affect the EA performance of the product combination

** Tested in accordance with BS:EN 13141-1 (2004)

MARKETING DIVISION

International House, Peartree Road, Stanway, Colchester, Essex CO3 0JL

Tel: +44 (0) 1206 713800 Fax: +44 (0) 1206 543126 Web: www.titon.com