

Sash Travel Restrictors

Features

- Convenient, simple and cost effective method to restrict the opening on sliding sash windows.
- Offers enhanced safety and security for sash windows
- Suitable for PVCu and timber sliding windows
- Non-handed for ease of application
- Routed into the sash, restrictor sits discreetly on the window

The spring loaded bolt is lockable

- Side and face fix version available
- Key lockable
- Available in White, Gold, Chrome and Satin Chrome finishes



Securing the sash

The robust sash travel restrictor range has been designed with safety in mind. Positioned on the sash the restrictor limits the opening of the sash.

Suitable for use on PVCu or Timber windows, the travel restrictor is ideal as a child safety device, preventing the travel of the sash beyond as designated position. A key is then used to simple close the bolt and allow the sash to move freely.

Available in a choice of two fixing options - side fix; and a range of finishes including White, Gold, Chrome and Satin Chrome.

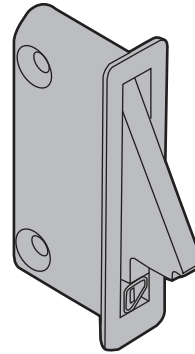
It is recommended that a restrictor is fitted to both sides of the sash.

Sash Travel Restrictors

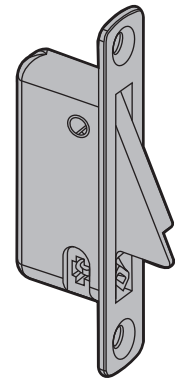
Ordering Details

Product	Part No.
Sash Travel Restrictor (side fix)	
Finish	
White	BH-STP-WHI03
Gold	BH-STP-GOL02
Chrome	BH-STP-CHR01
Satin Chrome	BH-STP-CHS04
Sash Travel Restrictor (face fix)	
Finish	
White	BH-STP-WHI07
Gold	BH-STP-GOL10
Chrome	BH-LOC-CHR08
Satin Chrome	BH-LOC-CHS09

Side fix



Face fix



Technical Information

Corrosion Resistance

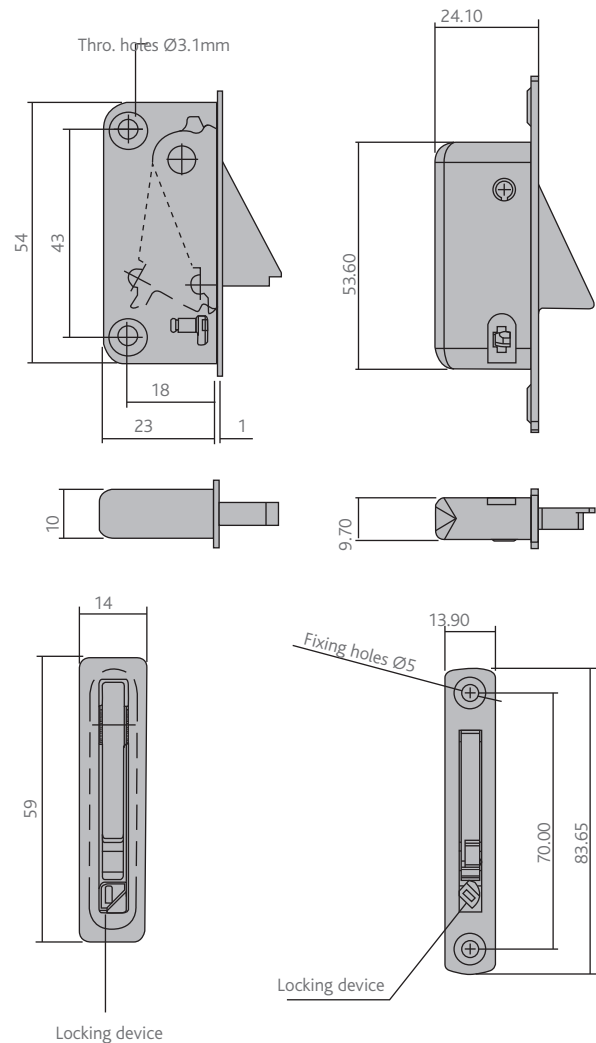
Meets the requirements of BS EN 1670:2004 Grade 3

Performance

Meets the requirements of BS EN 14351-1 clause 4.8

Material Specification

Lock body:	Zinc Die Cast, Stainless Steel
Bolt:	Steel
Bolt stop:	Nylon
Key:	Aluminium
Recommended screws:	4mm x 20/25mm twin thread countersunk pozi No2 point screws



Packaging

Sash Travel Restrictors

Individually bagged, 200 per box

Diagram not to scale
All dimensions are in mm and are nominal.
ERA reserves the right to change specification without notice