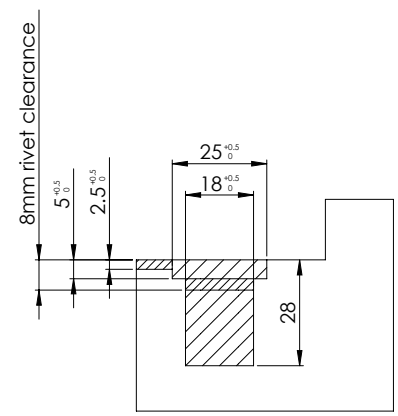
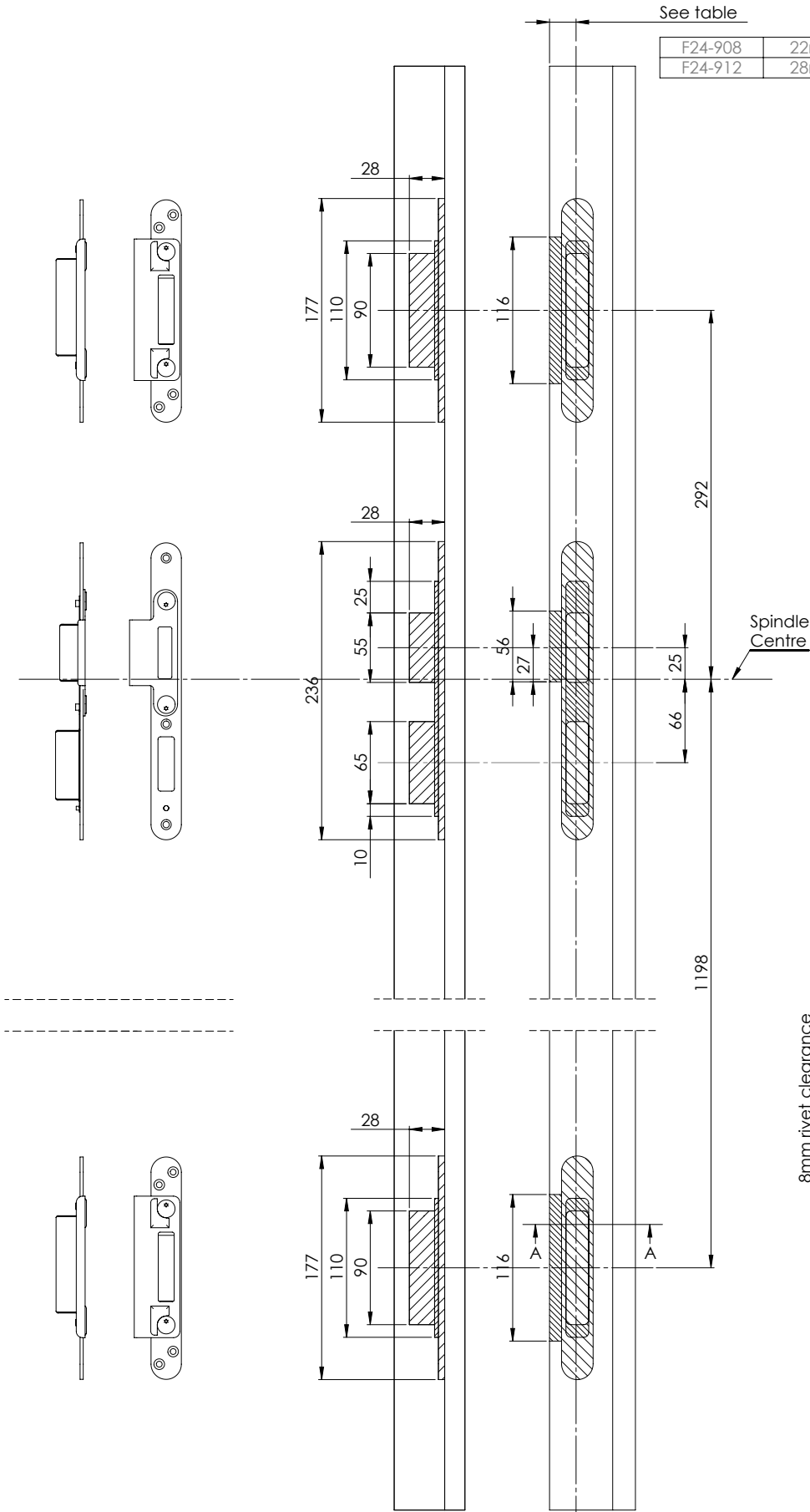


See table

F24-908	22mm
F24-912	28mm



SECTION A-A  
SCALE 1 : 2

Materials:		Unless Otherwise Stated	
Finish:		Dimensions in mm.	
Drawn: CH		Scale: 1:5	
Date: 23/05/2014		Unspecified Tolerances:	
Used On:		> 0 - 30 TOL +/- 0.1 > 30 - 120 TOL +/- 0.15 > 120 - 315 TOL +/- 0.2 > 315 - 1000 TOL +/- 0.3 > 1000 - 2000 TOL +/- 0.5	

**WINKHAUS**  
 Winkhaus (U.K.) Ltd.  
 2950 Kettering Parkway  
 Kettering  
 Northants  
 NN15 6XZ  
 Tel: (01536) 316000  
 Fax: (01536) 416516

Sheet 1 of 1	Drawing Description: Routing Details
Drawing Number: AV2 Heritage F24 Keep Routing	
Global Description:	

Issue	Description	Date