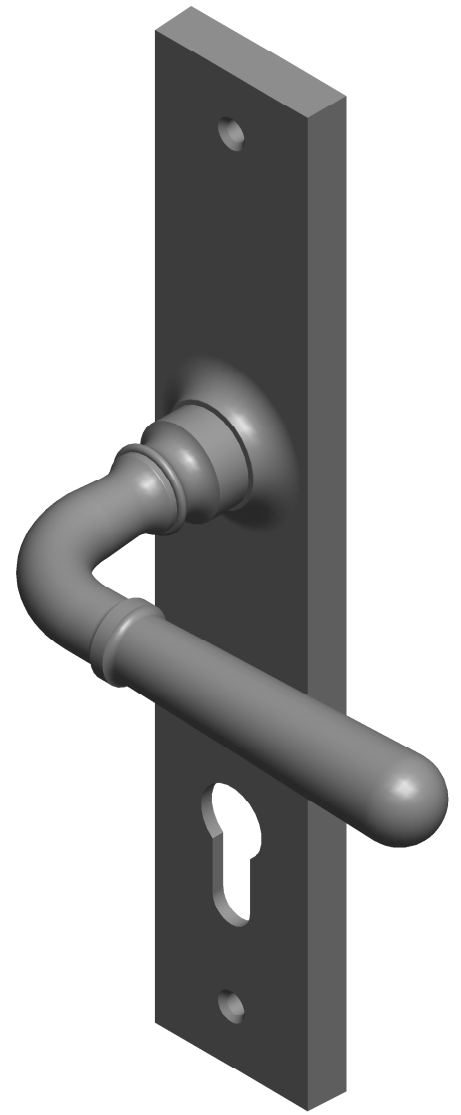
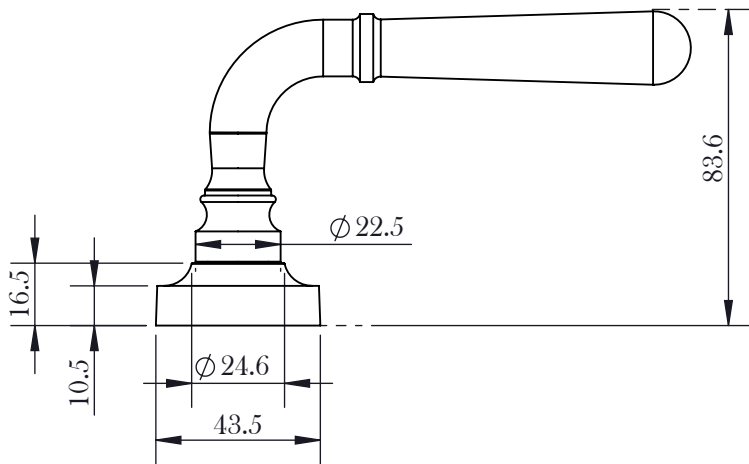


TOP VIEW



3D VIEW



FRONT VIEW

NOTES:- ALL DIMS. ARE IN MM.

DIMENSIONS ARE IN MM  
 TOLERANCES:-  $\pm 1$ MM  
 ANGULAR MACH  $\pm$  BEND  $\pm$

ITEM CODE:- ESP157

Name	Sign.	Date
DRAW.		22-12-2021
CHECKED		
MAG. APPR.		
COMMENT		
SCALE	N. T. S.	
MATERIAL-		
DRG. No. :-01		