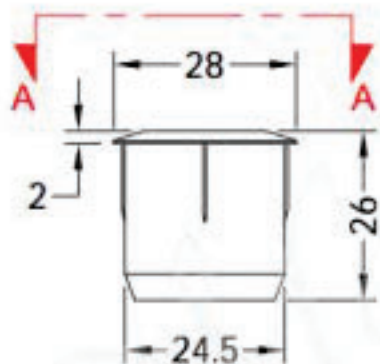
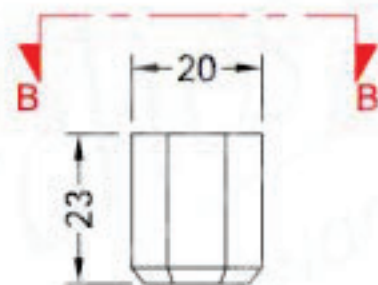


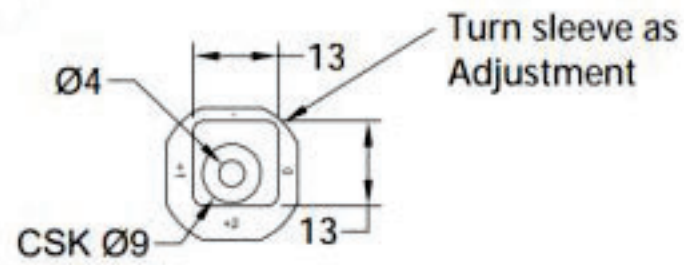
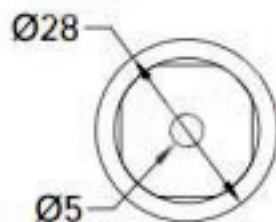
Isometric View



Section A-A



Section B-B



Adjustable Inner Sleeve