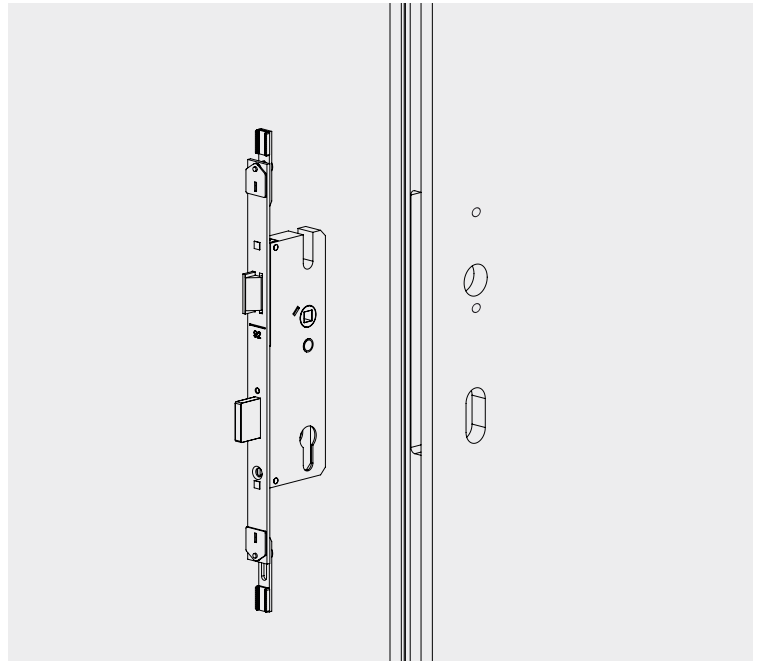


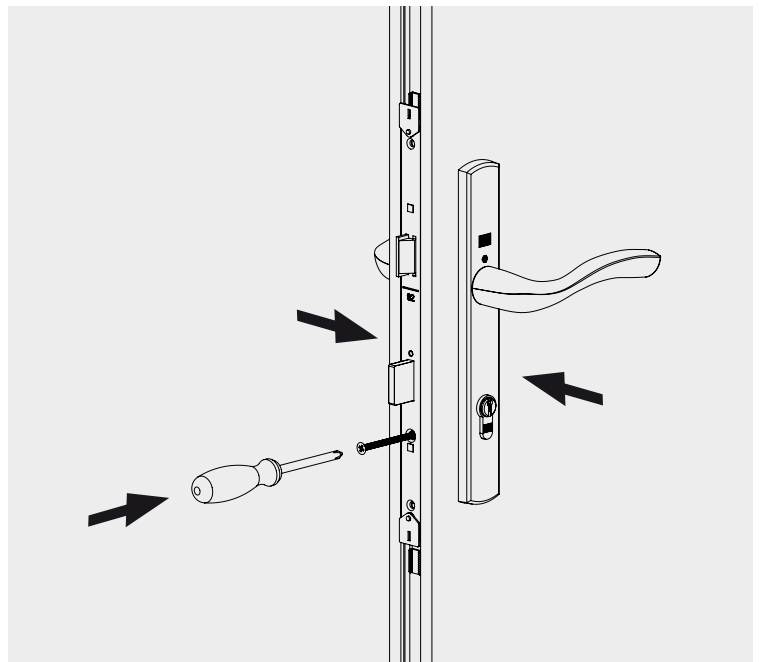
Winkhaus Repair Lock

Fitting Instructions

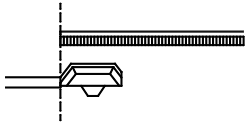
- Insert the centre gearbox into the door.
- In most cases the gearbox should fit the existing machine prep.



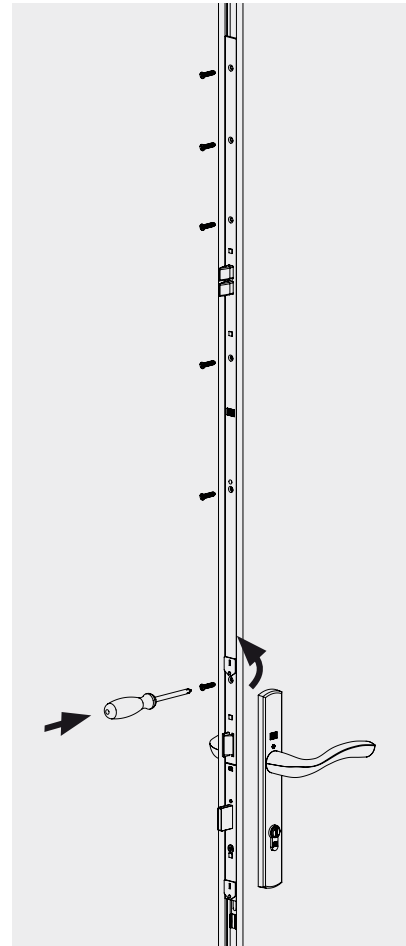
- Fit the handle and the euro cylinder.
- This will hold the gearbox in the correct position.



- Lift the handle to move the drive strip to “thrown” position. This throws the centre deadbolt.
- Position the upper extension so the deadbolt box fits in the existing routed slot.
- Make sure the double deadbolts are thrown.
- Holding the upper extension in position, mark the faceplate in line with the end of the shoe on the centre gearbox (this will give maximum engagement into the teeth of the extension).
- Crop the upper extension as shown.



- Insert the extension into position and rotate the swivel coverplate to cover up the end of the extension.
- Screw the extension in all positions shown.
- Depress the handle to check if the operation is smooth and there is full movement.



- Depress the handle to move the drive strip to “retracted” position. This retracts the centre deadbolt.
- Position the lower extension so the deadbolt box fits in the existing routed slot.
- Make sure the double deadbolts are retracted.
- Holding the lower extension in position, mark the faceplate in line with the end of the shoe on the centre gearbox (this will give maximum engagement into the teeth of the extension).
- Crop the lower extension as shown.
- Check final fitting for smooth operation and security.

