

WINDOW HARDWARE

EGRESS FRICTION STAYS



Technical Information

Assessment Data

Performance: Cycle tested to over 25,000 operations and tested to BS 6375 Pt.1:2004 & Pt 2:1987

Corrosion Resistance: Meets requirements of BS EN 1670:2007 (Grade 5 480 hours)

Egress: can meet requirements of BS 5588:1998 Pt 1: 1990 & document B of the building regulations, meets requirements of BS 8213 Pt 1:1991BBA Test Report No: 2812

Material Specifications

Track, Link & Rivets:

430 grade stainless steel (ref BS1449 Part 2:1991)

Metal End Cap: Zinc BS1004A

Plastic Components: Glass reinforced Nylon

Additional Information

Box Quantity: See chart

Accessories: Hinge Jigs, Anti-Jemmy & Child Restrictor

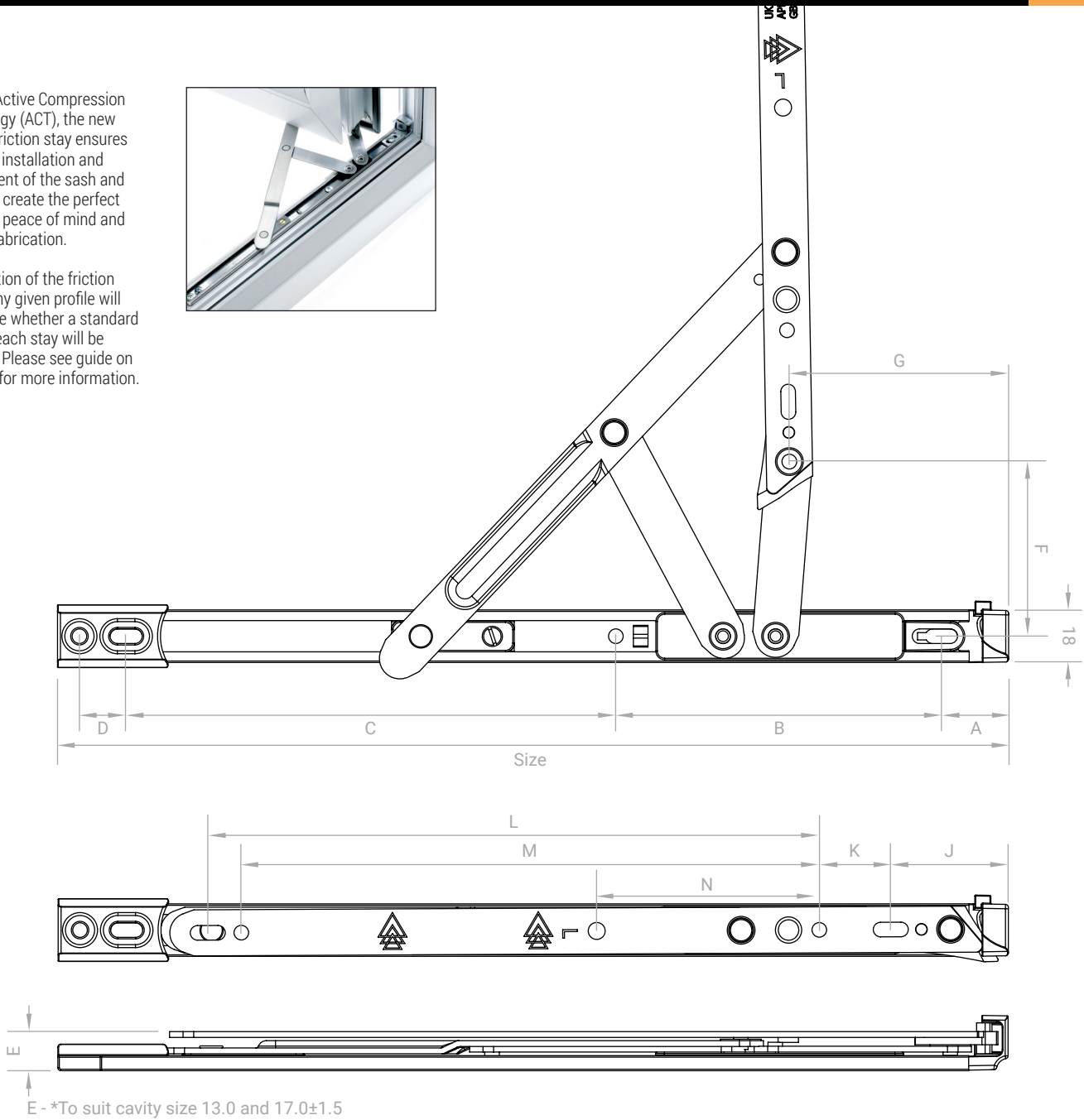
- 90° opening Egress facility to meet the requirements of BS 5588 Pt 1:1990 & document B of the building regulations
- Uniquely fitted end cap with an active compression spring to give the ultimate seal every time the window is used offering trouble free installation
- Manufactured from high quality 430 grade stainless steel
- 13 & 17mm variants suitable for all popular profiles
- Supplied in standard and long reach variants to suit all uPVC profiles (see page 35 for profile information)

STYLE	PART NO.	STACK HEIGHT (mm)		SIZE	OPEN ANGLE (°)	MAX WEIGHT (KG)	MAX VENT SIZE (mm) W x H	BOX QTY	
		13	17						
EGRESS EASY CLEAN	LONG REACH	AESH12P-40	✓		12	90	22	600 X 1200	40
		AESH16P-20	✓		16	90	24	650 X 1200	20
		AHESH12P-40		✓	12	90	22	600 X 1200	40
		AHESH16P-20		✓	16	90	24	650 X 1200	20
	STANDARD	TAESH12P	✓		12	90	22	600 X 1200	40
		TAESH16P	✓		16	90	24	650 X 1200	20
		TAHESH12P		✓	12	90	22	600 X 1200	40
		TAHESH16P		✓	16	90	24	650 X 1200	20

With its Active Compression Technology (ACT), the new Phocas friction stay ensures accurate installation and realignment of the sash and frame, to create the perfect seal with peace of mind and ease of fabrication.



The position of the friction stay in any given profile will determine whether a standard or long reach stay will be required. Please see guide on page XX for more information.



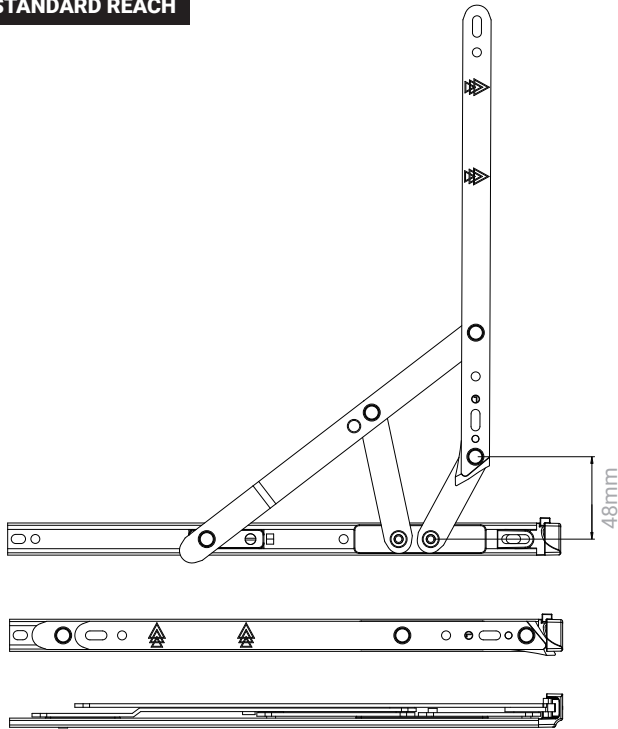
	SIZE	A	B	C	D	E	F	G	J	K (13/17mm)	L (13/17mm)	M (13/17mm)	N (13/17mm)
LONG REACH	12"	23	111.5	167.5	16	13/17	60	75	40.5	24.5/11.5	209.5/115.0	198.0/105.5	76.5
	16"	23	111.5	279	16	13/17	60	75	40.5	73/11.5	207.5/182.0	257.0/168.5	100/61.5
STANDARD REACH	12"	26.5	95	173	9.5	13/17±1.5	46	48	40.5	24.5	196.0/126.0	181.5/111.5	-
	16"	26.5	94.5	275	9.5	13/17±1.5	48	59	40.5	98.0/79.5	131.0/141.0	126.5	-

WINDOW HARDWARE

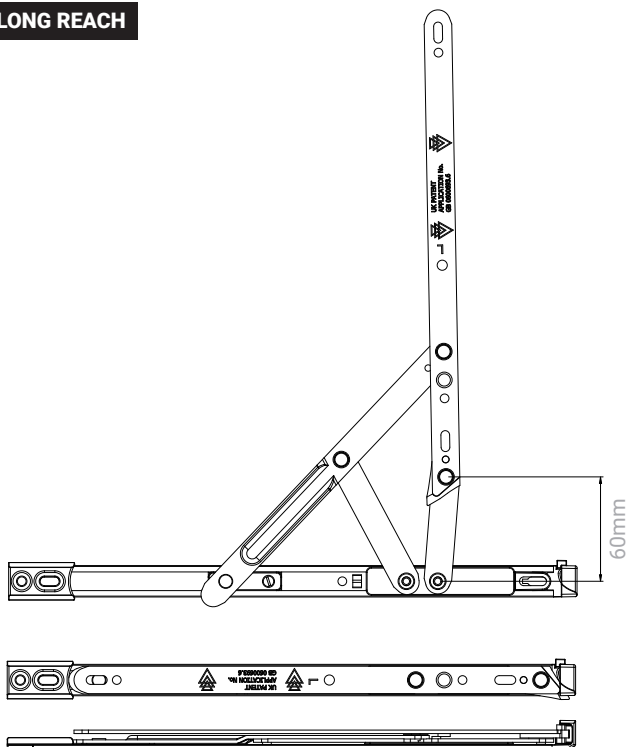
EGRESS FRICTION STAYS

All 90° opening Phocas Friction Stays are available in both a standard and long reach format for maximum compatibility with the majority of uPVC window profiles.

STANDARD REACH



LONG REACH



PROFILE	STACK HEIGHT (mm)	LONG REACH	STANDARD REACH
ALUPLAST IDEAL 60	17	✓	
ALUPLAST IDEAL 70	17	✓	
DECEUNINCK 2500	17	✓	
DECEUNINCK 2800	17	✓	
DECEUNINCK 3000	17	✓	
DURAFLEX DIAMOND 65 Q-LON BEVELLED	13		✓
DURAFLEX DIAMOND 65 Q-LON FEATURED	13		✓
DURAFLEX DIAMOND 70 Q-LON BEVELLED	13		✓
DURAFLEX DIAMOND 70 Q-LON FEATURED	13		✓
EUROCELL 60	13		✓
EUROCELL ULTIMATE 70	15		✓
EUROCELL EURO - LOGIK	17	✓	
EUROCELL EURO - LOGIK OVOLO	17	✓	
EUROCELL MODUS	17	✓	
KBE MARK 5 58mm	13		✓
KBE C70	17		✓
KOMMERLING 070 GOLD	17	✓	
KOMMERLING GOLD 58mm	17	✓	
LB 6000	17	✓	
LB 7000	13	✓	
LB 8000 BEVELLED	17	✓	
LB 8000 CONTOUR	17	✓	
LINIAR CHAMFERED 70mm	17	✓	
LINIAR SCULPTURED 70mm	17	✓	
PLASTMO INDEX 62mm	17		✓
PLASTMO INDEX 70mm	17		✓
PROFILE 22 60MM	13	✓	
PROFILE 22 FB70	13	✓	
PROFILE 22 FI70	13	✓	
PROFILE 22 FS70	13	✓	
PROFILE 22 OPTIMA CHAMFERED	13	✓	
PROFILE 22 OPTIMA SCULPTURED	13	✓	
REHAU CALIBRE	17		✓
REHAU S703 TRITEC	17		✓
REHAU S703 TRITEC INTEGRAL	17		✓
REHAU S706 INTEGRAL	17		✓
REHAU EDGE FULLY SCULPTURED	17		✓
SELECTA 8000 60MM	17	✓	
SELECTA ADVANCE 70 CHAMFERED	17		✓
SELECTA ADVANCE 70 SCULPTURED	17		✓
SPECTUS ELITE 63 BEVELLED	17		✓
SPECTUS ELITE 63 OVOLO	17		✓
SPECTUS ELITE 70 BEVELLED	17		✓
SPECTUS ELITE 70 OVOLO	17		✓
STATUS ZENDOW	17	✓	
SWISH 24 -7	13	✓	
SYNSEAL EVOLVE 60	15	✓	
SYNSEAL LEGEND 70	15.5		✓
SYNSEAL SHIELD	13		✓
SYNSEAL SILHOUETTE	13		✓
SYNSEAL SYNERJY	13		✓
VEKA MATRIX 58MM	13	✓	
VEKA MATRIX 70MM	13	✓	
VEKA FULLY SCULPTURED 70	13	✓	
WHS ECLIPSE	17		✓
WHS ESTHETIQUE	17		✓
WHS RUSTIQUE 2	17	✓	
WHS SYSTEM 10 62MM CHAMFERED (NEW)	17	✓	
WHS SYSTEM 10 62MM SCULPTURED (NEW)	17	✓	
WHS SYSTEM 10 70MM CHAMFERED (NEW)	17	✓	
WHS SYSTEM 10 70MM SCULPTURED (NEW)	17	✓	

Please refer to the profile list below to aid you in product selection.
For dimensions please refer to individual product pages.